

OPERATING INSTRUCTIONS AND PARTS LIST

BRIGGS & STRATTON

MODEL "T" MOTOR

1/2 H.P. - 1800 R.P.M.

INCLUDING MODELS "TC" - "TF"

1. **BEFORE STARTING THE MOTOR.** Fill the crankcase with MOBIL-DILARCTIC S.A.E. NO. 20, or any other high grade oil having the same characteristics S.A.E. NO. 20. A HEAVIER OIL MUST NOT BE USED. Remove the oil filler cap, painted blue, pour oil in the opening until it rises to the level of the filler opening. Crankcase holds one pint. Fill the gas tank with a good grade of clean, fresh regular gasoline. Tank holds one quart. Do not use a high test gasoline, ordinarily used in lamps and stoves. This vaporizes too quickly, causing motor to stop. Be sure that the small vent hole in gas tank cap is not clogged. Air must enter the tank to allow the gasoline to flow freely to the carburetor. Test by blowing through the top.

2. **DO NOT MIX OIL AND GASOLINE.** This 4 cycle motor is provided with an efficient lubrication system which forces a stream of oil to all moving parts of the motor. There are no external ports which require separate oiling.

3. **KEEP THE MOTOR CLEAN.** It pays to keep the motor clean, both inside and outside. See that no dirt or water enters motor when filling with oil or gasoline. Always wipe off the gasoline cap and oil filler plug, as well as around them before refilling. Dirt in the tank and motor causes trouble and even serious damage.

4. **AIR CLEANER. EVERY DAY MOTOR IS USED, AIR CLEANER** should be removed and the felt brushed free of dirt and washed in gasoline. Be sure felt is dry before replacing.

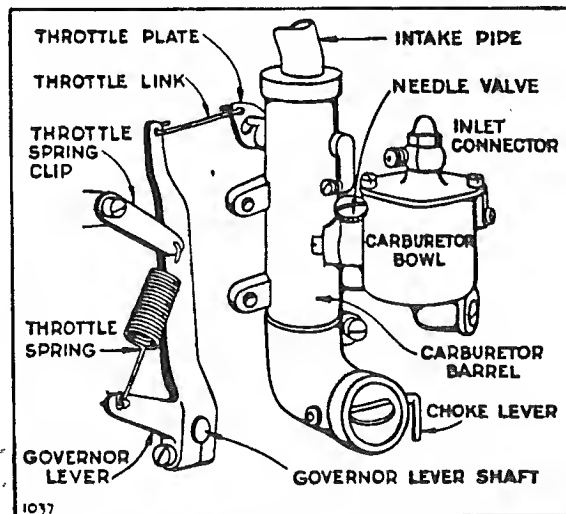
5. **CHANGE OIL FREQUENTLY.** After every twenty five hours of motor operation, the oil should be completely drained from the crankcase. Always check your oil level after each five hours of motor operation.

6. **AVOID GUMMY GASOLINE.** If you find a gummy substance in the fuel system, it usually comes from stale gasoline. It will clog the gas line, carburetor, etc., and cause trouble. Use fresh gasoline and keep the tank filled. If you use the motor occasionally, drain the tank completely and refill when motor is used again. Use alcohol or acetone to clean any gum coated parts.

7. **TO ADJUST CARBURETOR.** Completely close needle valve by turning to right or clockwise as far as possible.

Do not screw up too tight or use force when closing needle valve, or needle valve or taper seat may be damaged. From closed position, open needle valve to one and one quarter turns. After motor has been started and warmed up make final adjustments with choke wide open by turning the needle valve to point at which motor runs smoothly with a full load. This setting will also take care of starting with choke. When starting cold motor, if it is necessary to keep choke partially closed several minutes before motor runs smoothly, carburetor setting is too lean. The needle valve should be opened a notch or two - turn to left.

CARBURETOR AND GOVERNOR - PLATE NO. 1

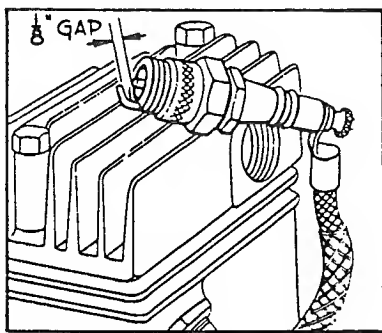


8. **TO REMOVE AND REPLACE CARBURETOR.** Disconnect gasoline line from the carburetor and gasoline tank. Unhook the throttle spring from spring clip. Remove two screws and lockwashers holding carburetor to crankcase. Loosen the carburetor from the intake pipe by working from side to side. With carburetor in right hand, hold governor lever with left and turn carburetor to the right. Bring carburetor toward the governor lever permitting the open end of throttle link to slip out of the hole in the throttle plate. To replace, reverse the operations. Be sure the open ends of throttle link are toward crankcase. See plate No. 1.

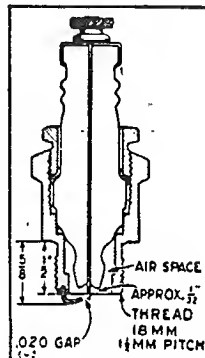
9. **RESETTING GOVERNOR LEVER.** With carburetor attached to motor and throttle link hooked in governor lever and throttle plate, loosen set screw holding governor lever to governor shaft. Push the upper end of governor lever toward carburetor as far as it will go. Hold in this position and turn governor shaft to right or down, with pliers, until it strikes a stop in crankcase. Release governor shaft but hold governor lever until you tighten the set screw. Be sure that neither governor lever or shaft move while you tighten the screw. See plate No. 1.

10. **TO CHECK FOR SPARK.** Remove the spark plug. Open the spark gap to about $\frac{1}{8}$ " and with the cable attached, place spark plug on the cylinder head. Turn motor with starter and if spark jumps this gap, the ignition is O.K. See plate No. 2. If there is no spark, try a new plug in the same way and if still no spark, check ignition cable and magneta adjustments. Be sure to close point gap to $.020$ ", before replacing spark plug.

CHECKING SPARK
PLATE NO. 2



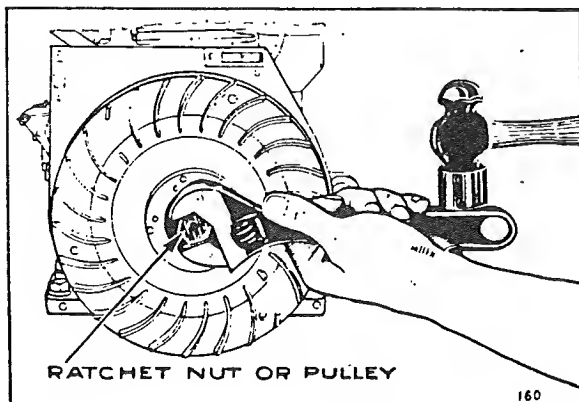
SPARK PLUG
PLATE NO. 3



11. **SPARK PLUG ADJUSTMENT.** When spark plug points burn away in normal service, the spark plug should be replaced. The points must be clean and set at $.020$ ". Be sure the porcelain is not cracked or broken which prevents the plug firing. Water on the outside of the plug will permit the high voltage current to leak over the surface of the porcelain. Dirt or carbon will do the same thing. Keep a new plug on hand. We recommend the use of a Champion No. 6M or its exact equivalent. See plate No. 3.

12. **IGNITION CABLE.** Insulation must not be broken or soaked with oil or water, or grounded in any where it touches the motor, or it will interfere with good ignition. Ignition cable should be soldered to secondary terminal (small brass plate coming out of coil). Avoid touching coil with hot soldering iron. See plate No. 7.

REMOVING FLYWHEEL - PLATE NO. 4



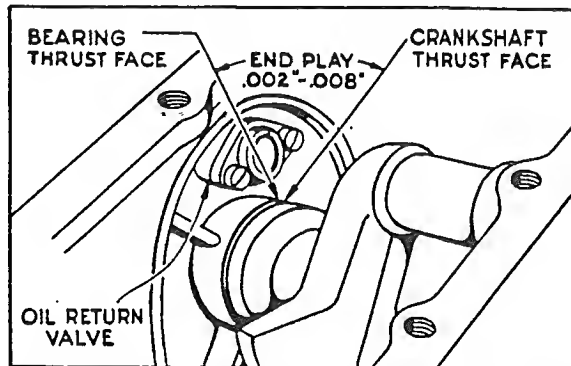
13. **TO REMOVE AND REPLACE FLYWHEEL.**

A. **HAND CRANK & FOOT STARTER MOTORS.** Remove starter and blower housing. Place a small wood block under flywheel fin on left side. Use a 1 " open end wrench on nut. Tap end of wrench handle lightly with hammer to loosen nut. Tap carefully to prevent breaking flywheel fin. Remove ratchet, pawl and washer. Loosen flywheel by placing wood block against end of crankshaft and striking with hammer. Pull off flywheel.

B. **ROPE STARTER MOTORS.** Remove blower housing and place a wood block under flywheel fin on left side. Place a rod or bar through the holes in the starter pulley. Tap one end lightly to remove it. Loosen and remove flywheel, as explained in the previous paragraph.

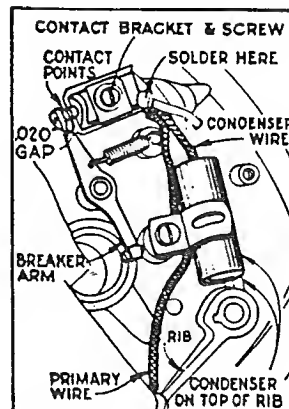
14. To replace, locate flywheel on crankshaft with key. Reverse the operations explained in the previous paragraphs. Draw ratchet nut on starter pulley up very tight by tapping wrench handle on bar with hammer.

CORRECT END PLAY - PLATE NO. 5



15. **TO REMOVE AND REPLACE MAGNETO ASSEMBLY.** Remove flywheel as explained in previous paragraphs. Detach ignition cable from spark plug and remove three magneta plate mounting screws. To replace, use the same gasket between the plate and crankcase or if damaged, a new gasket. See part numbers 13A10, 66037, 66047 of proper thickness to get correct end play of $.002$ "

CONTACT POINTS
PLATE NO. 6



to $.008$ " between magneto bearing and crankshaft thrust faces, as shown in plate No. 5.

15. Magneto is always correctly timed with the motor when the flywheel is assembled to the tapered crankshaft with a right hand threaded pulley or ratchet nut. Do not attempt to change timing by relocating any parts or filing crankshaft timing flat. Always use a soft key, part No. 66403. If steel key is used and flywheel becomes loose, it will damage the keyway in the crankshaft.

17. **TO ADJUST AND CLEAN CONTACT POINTS.** Remove blower housing and flywheel. Turn crankshaft by hand to see if contact points open and close properly. Points must be clean and line up squarely to make good electrical contact. Do not file the points - use a fine sandpaper or grit hone to clean points. Adjust gap to $.020$ " by loosening the contact bracket and moving it toward or from breaker arm point. When proper gap is obtained, tighten lock screw securely.

If either or both points become badly pitted or burned, they should be replaced, order part Nos. 13ME and 65489.

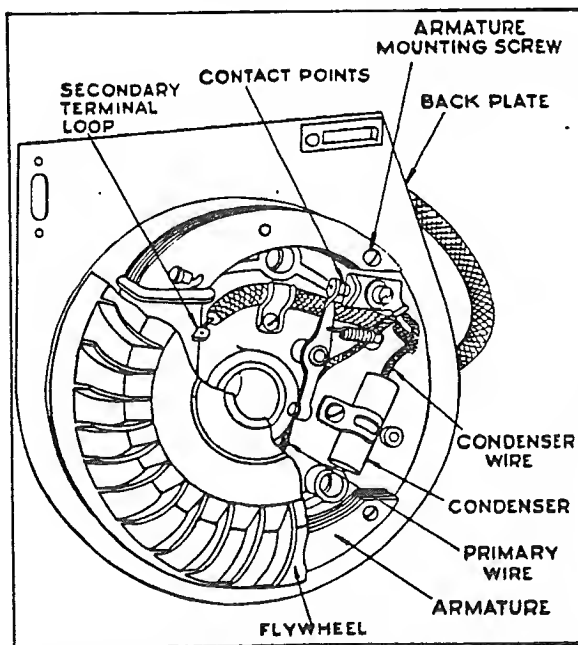
18. TO REPLACE CONDENSER. A leaky or weak condenser causes motor to start hard, sputter or misfire under load. If motor misfires after checking gasoline line, carburetor, spark plug, cable and contact points, install a new condenser.

19. If, after new condenser has been installed, the ignition system does not deliver a satisfactory spark, we recommend sending the complete magneto and flywheel to the nearest Briggs & Stratton Central Service Distributor listed on back cover, for proper adjustment.

20. TO REPLACE AND ADJUST ARMATURE. Remove primary armature and condenser lead wires from contact point bracket. Remove ignition cable from secondary terminal in coil. Save as much hydrolene as possible, to use for insulating the terminal on the new coil. Remove four armature mounting screws. To install armature, locate on mounting studs. Place loops under the armature mounting screws nearest the coil. Solder ignition cable to terminal. Fill pocket, formed with flop, with melted hydrolene. Slip insulators over armature and condenser lead wires and solder to contact bracket. Tighten armature screws. See plate No. 7.

21. An air gap of .002" to .010" must be maintained between armature shoes and flywheel poles. Gap must be sufficient to prevent rubbing but not over .010" or poor ignition will result. To check for armature rub, chalk edges and mount flywheel in place. Remove spark plug to release compression. Turn flywheel several revolutions. Remove flywheel and examine edges of armature shoe. High spots will have chalk rubbed off. File high spots carefully with fine file until flywheel does not rub. Do not remove too much metal.

MAGNETO PLATE ASSEMBLY - PLATE NO. 7



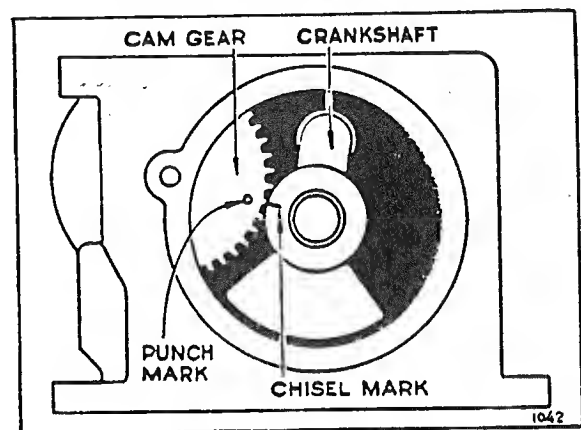
22. VALVE ADJUSTMENT. To check valve clearance, remove valve cover plate. The correct clearance on the exhaust valve is .008", and on the intake is .006", when motor is cold. Tappet clearance is adjusted by grinding required amount from end of valve stem. End of stem must be square with stem proper.

23. To remove valves, remove cylinder head, and if not dismantled, drain oil from crankcase. Invert cylinder. Compress the spring with spring compressor No. 69189-T3 with end of screw driver pry out split collar. Release spring compressor. Tilt cylinder back far enough to allow valve to drop, permitting stem to clear spring. Pry spring out with end of screw driver.

24. To replace valves and valve springs, compress spring in spring compressor tool. Turn tool to inverted position with retainer washer on top. Drop the split collar in place one at a time. When first collar is placed in valve, push it around to the back of the valve stem to allow easy placing of second half. Special spring compressor tool, part No. 69189-T3, is available at the factory at \$4.25 net.

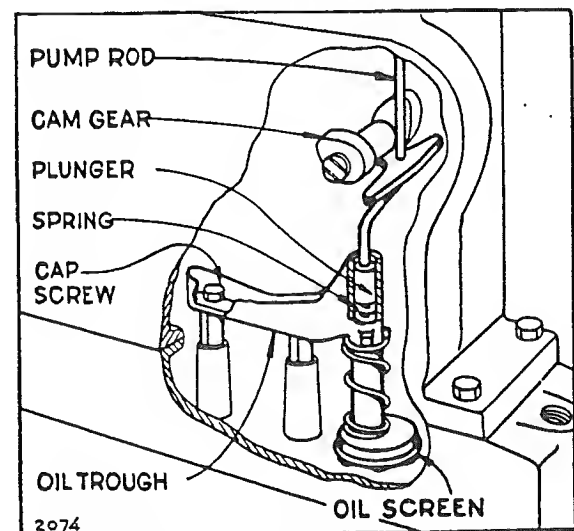
25. Grind valves in the same manner as automobile valves. If valves stick they may be coated with gum or carbon. To remove gum use alcohol or acetone. Clean valve stems thoroughly with wire brush or emery cloth. Scrape carbon from valve ports.

VALVE TIMING - PLATE NO. 8



26. TIMING. The timing is taken care of by meshing of the cam shaft gear with the gear on the crankshaft. The gears are properly meshed when the mark on the cam shaft gear is in line with the mark on the crankshaft collar. See plate No. 8.

OIL PUMP - PLATE NO. 9



27. OIL PUMP. The oil pump and trough is assembled to the base and is operated with a pump rod by an eccentric cam. See plate No. 9 for proper assembly.

MODEL "T" PARTS LIST

INCLUDING MODELS "TC" - "TF"

PART NUMBER	NAME	PRICE EACH	PART NUMBER	NAME	PRICE EACH
78C	Spark plug with gasket.....	.65	83436	Piston pin - .005" OS.....	.30
7B24	Spark plug gasket.....	.05	85124	Fibre washer.....	.05
7K23	Cotter pin - #18 x 1/4.....4 for	.05	85126	Throttle spring.....	.15
7K28	Cotter pin - 1/16 x 3/8.....4 for	.05	85134	Fibre washer.....	.05
7K33	Screw - 10-32 x 1/4 Rd. Hd.2 for	.05	85194	Contact bracket washer.....	.05
7K41	Swivel.....	.20	85244	Fibre washer.....	.05
7K47	Cotter pin - 1/16 x 1/2.....4 for	.05	85264	By-pass tube gasket.....	.05
7K68	Spring washer.....	.10	85314	Contact brocket insulator.....	.05
7T17	Lockwasher - 13/64 x 1/16 x 3/64...3 for	.05	85324	Drain plug gasket.....	.05
7WB	Screw - 10-32 x 3/8.....2 for	.05	85367	Ratchet nut felt.....	.05
13A1	Oil pump plunger.....	.20	85387	Needle valve packing.....	.05
13A2	Lockwasher - 17/64 x 3/32 x 1/16....4 for	.05	85431	Control lever base.....	.45
13A10	Magneto plate gasket - .015" thick.....	.05	85451	Compression ring - standard.....	.25
13A27	Connecting rod screw.....	.05		Note: For oversizes, see Nos. 61010 -	
13A34	Connecting rod shim.....	.05		.010", 61012 - .020", 61013 -	
13A40	Oil pump spring.....	.10		.030".	
13K3	Washer - 17/64 x 13/16 x 1/16.....	.05	85469	Control lever assembly.....	1.35
13K4	Control lever bushing.....	.10		Includes:	
13K5	Control lever.....	.50	7K23	Cotter pin	
13K9	Control casing clamp.....	.05	7K33	Screw	
13K10	Screw.....	.05	7K41	Swivel	
13M	Contact bracket.....	.50	7K68	Spring washer	
13M13	Breaker arm spring.....	.05	13K3	Washer	
13M21	Contact brocket shim.....	.05	13K4	Bushing	
13M22	Ignition cable clamp.....	.05	13K5	Lever	
13M47	Screw - 10-32 x 1/4 Fill. Hd.05	13K10	Screw	
590E	Fibre washer.....3 for	.05	85431	Base	
796E	Fibre washer.....3 for	.05		Note: No. 65589 - left hand control.	
29208	Bell crank.....	.25	85489	Contact breaker arm.....	.75
29652	Condenser.....	.50	85499	Gas tank cap.....	.60
29657	Armature.....	5.00	85522	Blower housing bracket.....	.10
37348	Rivet - 1/8 x 1/4 tubular.....3 for	.05	85534	Oil filler cap gasket.....	.05
61009	Oil ring - .010" OS.....	.50	85589	Control lever assembly.....	1.50
61010	Compression ring - .010" OS.....	.25		Includes:	
61012	Compression ring - .020" OS.....	.25	7K23	Cotter pin	
61013	Compression ring - .030" OS.....	.25	7K33	Screw	
61016	Oil ring - .020" OS - 1/8" wide.....	.50	7K41	Swivel	
61017	Oil ring - .030" OS - 1/8" wide.....	.50	7K68	Spring washer	
61057	Governor lever.....	.50	13K3	Washer	
61131	Gas tank bracket.....	1.00	13K4	Bushing	
61136	Oil filler cap.....	.25	13K5	Lever	
61137	Foot starter pedal.....	1.50	85631	Base	
61142	Hand starter lever.....	1.50	90802	Screw	
61157	Air cleaner elbow.....	1.25	91169	Nut	
61186	Carburetor cover.....	.25	85607	Oil valve gasket.....	.05
61274	Oil ring - standard.....	.35	85616	Control wire casing - 72" long.....	.55
	Note: For oversizes, see Nos. 61324 -			Note: Specify other lengths in inches.	
	.010", 61325 - .020", 61326 -		85617	Valve cover gasket.....	.10
	.030".		85631	Control lever base.....	.45
	Note: No. 68161 oil ring, 1/8" wide,		85667	Carburetor gasket.....	.05
	used on earlier motors.		85687	Base gasket.....	.20
61324	Oil ring - .010" OS.....	.35	85717	Tank cap gasket.....	.05
61325	Oil ring - .020" OS.....	.35	85725	Armature lead insulator.....	.05
61326	Oil ring - .030" OS.....	.35	85735	Condenser lead insulator.....	.05
62000	Chain link washer.....2 for	.05	85737	Carburetor gasket.....	.10
62034	Gas tank strap.....	.35	85847	Ignition cable sleeve.....	.10
62039	Air cleaner shell.....	.75	85863	Piston pin - standard.....	.25
62154	Valve cover plate.....	.20		Note: No. 63436 - .005" OS	
62199	Bell crank washer.....	.05	65908	Valve spring.....	.15
63033	Carburetor float lever pin.....	.05	65986	Throttle link.....	.10
63067	Bell crank bushing.....	.05	66037	Magneto plate gasket - .005" thick.....	.05
63092	Mounting spacer.....	.05	66047	Magneto plate gasket - .009" thick.....	.05
63150	Carburetor needle valve.....	.30	66056	Starter return spring.....	.50
63155	Carburetor intake pipe.....	.45	66186	Throttle adjusting spring.....	.10
63157	Carburetor air bleed screw.....	.10	66246	Piston pin lock.....2 for	.05
63165	Headless pipe plug.....	.05	66403	Flywheel key.....	.05
63182	By-pass nozzle.....	.25	66411	Starter pulley.....	1.00
63426	Control casing locknut.....	.05	66578	Crankshaft.....	7.00

MODEL "T" PARTS LIST

"T"

INCLUDING MODELS "TC"-"TF"

PART NUMBER	NAME	PRICE EACH	PART NUMBER	NAME	PRICE EACH
66679	Magneto flywheel.....	\$ 9.20	69346	Cylinder bearing.....	\$ 1.25
66733	Starter ratchet.....	.60	69351	Blower housing.....	1.25
66743	Starter ratchet nut.....	.30	69375	Carburetor bowl.....	2.70
66773	Stuffing box nut.....	.15	69382	Ignition cable.....	.50
66783	Stuffing box gland.....	.25	Note: No. 69275 cable with sleeve No. 65847 used on earlier motors.		
66796	Idle adjustment spring.....	.05	69408	Carburetor barrel.....	2.45
66813	Carburetor vent screw.....	.20	69411	Control casing tube.....	.55
66979	Starter rope.....	.50	69412	Cylinder.....	18.50
67072	Contact bracket washer.....	.05	69413	Cylinder assembly.....	29.00
67266	Control wire - 79" long.....	.30	69418	Carburetor assembly.....	9.00
Note: Specify other lengths in inches.			69419	Gasoline line.....	.40
67429	Starter pawl assembly.....	.70	69423	Air cleaner assembly.....	4.50
67549	Gasoline shut-off valve.....	.90	69445	Air cleaner filter.....	2.00
67569	Chain link.....	2 for .05	69446	Stem and wing nut.....	.50
67753	Flywheel washer.....	.05	69460	Carburetor needle valve.....	.30
67831	Cylinder head.....	5.50	Note: No. 63450 used on earlier motors.		
67902	Governor gear washer.....	.10	69478	Carburetor assembly.....	9.50
68022	Blower housing bracket.....	.10	69483	Inlet valve and seat.....	1.00
68122	Cam shaft plug.....	.05	69497	Carburetor body.....	3.50
68152	Carburetor inlet screen.....	.10	69498	Carburetor needle valve.....	.65
68161	Oil ring - standard - 1/8" wide.....	.50	69568	Magneto plate assembly.....	10.50
Note: For oversizes, see Nos. 61009 - .010", 61016 - .020", 61017 - .030".			69783	Piston assembly - standard.....	2.85
68273	Exhaust valve.....	1.50	Note: For oversizes, see Nos. 69822 - .010", 69823 - .020", 69824 - .030".		
68283	Valve spring collar.....	.10	69822	Piston assembly - .010" OS.....	3.60
68293	Valve spring retainer.....	.10	69823	Piston assembly - .020" OS.....	3.60
68303	Valve tappet.....	1.00	69824	Piston assembly - .030" OS.....	3.60
68333	Cam shaft.....	.40	69917	Piston - standard.....	2.00
68449	Muffler.....	1.25	Note: For oversizes, see Nos. 69918 - .010", 69919 - .020", 69920 - .030".		
68643	Governor crank.....	.80	69918	Piston - .010".....	2.75
68652	Spark plug wrench.....	.20	69919	Piston - .020".....	2.75
68653	Governor crank bushing.....	.20	69920	Piston - .030".....	2.75
68791	Cam gear.....	6.00	69928	Chain repair link.....	.35
68803	Starter shaft collar.....	.30	69992	Oil return valve.....	.35
68821	Starter chain sprocket.....	.25	90077	Screw - 10-32 x 1/4 Rd. Hd.05
68881	Starter spring bushing.....	.05	90200	Screw - 8-32 x 1/2 Rd. Hd.05
68883	Inlet connector screw.....	.10	90202	Screw - 10-32 x 1/2 Fill. Hd.05
68891	Inlet connector.....	.25	90364	Lockwasher - 11/64 x 3/64 x 1/32.....	2 for .05
68923	Intake valve.....	.50	90373	Lockwasher <i>inc. 7T17</i>	4 for .05
69004	Cylinder head gasket.....	.25	90558	Screw - 6-32 x 1/2 Fill. Hd.	2 for .05
69054	Magneto plate.....	3.50	90597	Screw - 10-32 x 1/2 Rd. Hd.	2 for .05
69105	Governor gear shaft.....	.40	90680	Screw - 5/16-18 x 1/2 Sq. Hd.05
69121	Carburetor air horn.....	.80	90683	Lockwasher - 1/2 x 11/64 x 1/8.....	2 for .05
69130	Oil pump rod.....	.30	90766	Lockwasher - #8.....	4 for .05
69149	Carburetor float.....	.65	90773	Screw - 1/4-20 x 3/4 Rd. Hd.05
69177	Gasoline tank.....	3.00	90781	Screw - 8-32 x 5/16 Fill. Hd.05
69190	Oil trough and base.....	2.00	90802	Screw - 1/4-20 x 1-1/2 Hex. Hd.05
69194	Governor gear.....	1.50	90832	Lockwasher - 1/4 x 3/32 x 5/64.....	4 for .05
69207	Carburetor float.....	1.00	90879	Cylinder head screw.....	.10
69232	Connecting rod.....	2.50	90891	Screw - 1/4-20 x 1/2 Hex. Hd.05
69239	Carburetor cover.....	1.00	90902	Magneto mounting screw.....	.05
69275	Ignition cable.....	.50	90916	Screw - 1/4-20 x 1/2 Rd. Hd.05
69278	Air guide.....	.60	90970	Nut - 1/4-20 x 7/16 x 3/16 Sq.05
69282	Magneto plate bearing.....	1.25	91134	Air bleed screw.....	.10
69312	Starter chain.....	1.25	91152	Plug screw.....	.20
69314	Breather tube.....	.80	91242	Exhaust elbow locknut.....	.05
69333	Starter lever and shaft.....	3.50	91245	Exhaust nipple - 1-3/8" long.....	.15
Includes:			91246	Exhaust elbow.....	.40
7T17	Lockwasher		91247	Bolt - 1/2-20 x 2 Hex. Hd.15
62015	Ratchet guard		91248	Nut - 1/2-20 x 3/4 - 7/16 Hex.05
64139	Connector pin		91253	Screw - 6-32 x 5/16 Fill. Hd.	2 for .05
68821	Sprocket		91256	Screw - 1/4-20 x 1 Rd. Hd.05
69312	Chain		91270	Screw - 1/4-20 x 1 Rd. Hd.05
69334	Lever and shaft		91277	Screw - 1/2-20 x 1 Hex. Hd.10
90077	Screw				
69334	Lever and shaft.....	2.00			
Note: No. 69333, assembled with chain and sprocket.					

T''

MODEL "T" PARTS LIST

INCLUDING MODELS "TC" - "TF"

PART NUMBER	NAME	PRICE EACH	PART NUMBER	NAME	PRICE EACH
91281	Lockwasher - 1/4 x 3/32 x 3/32.....	.05	91289	Exhaust nipple - 2-1/2" long.....	.15
91282	Screw - 10-32 x 5/8 Fill. Hd.05		Note: No. 91245 - 1-3/8" long	
91284	Screw - 10-32 x 1/4 Fill. Hd.05	91300	Oil drain plug.....	.05
			91388	Lockwasher - 5/16 x 3/32 x 3/32.....	.05

MODEL "TC" - "TF" PARTS LIST

PART NUMBER	NAME	PRICE EACH	PART NUMBER	NAME	PRICE EACH
<p>The following list of parts are special on these models, replacing parts of similar description on the Model "T" motor. All parts not listed below are standard parts, interchangeable on all models.</p>			69812	Cylinder assembly.....	29.00
61167	Cam gear.....	6.00	Includes:		
67478	Crank shaft.....	7.00	61167 Cam gear		
69885	Governor gear.....	1.50	All other parts same as No. 69413		
			Cylinder assembly. See main list for parts.		
			Note: No. 69478 Carburetor used on Model "TF" motor. All other parts same as Model "TC".		

Nation-Wide Service Organization

To provide prompt and efficient service on Briggs & Stratton motors, Authorized Central Service Distributors are located in the principal cities of the United States and Canada.

Each Authorized Central Service Distributor listed on this page carries a complete stock of original Briggs & Stratton repair parts. Each distributor is equipped with special factory service tools and factory-trained mechanics, assuring expert repair service on all Briggs & Stratton products.

All Authorized Central Service Distributors are instructed by the factory to replace free of charge all parts found to be defective in either material or workmanship, according to the conditions of the Briggs & Stratton Guarantee.

All motor work done under the guarantee is the re-

responsibility of the Central Service Distributor until all the material involved and supporting facts are submitted to and approved by the factory. In a difference of opinion regarding a Central Service Distributor's decision, their terms should be accepted and, either through them or direct, have all material and supporting facts submitted to the factory for review.

Genuine Briggs & Stratton service will assure continuous satisfaction. Our long experience in motor maintenance prompts us to urge that all service work be done by an Authorized Central Service Distributor or at our factory. Mechanics, unfamiliar with Briggs & Stratton products or without proper tools, should not be permitted to make major repairs.

Parts and repair work are F.O.B. factory or any Authorized Briggs & Stratton Central Service Distributor.

Authorized Central Service Distributors

STATE	CITY	NAME	LOCATION
Arizona	Phoenix	Motor Supply Co.	315 N. Central Ave.
California	Los Angeles	Electric Equipment Co., Inc.	1240 S. Hope St.
California	San Francisco	Automotive Service, Inc.	930 Van Ness Ave.
Colorado	Denver	Spitzer Electrical Co.	43 W. 9th Ave.
Florida	Miami	Electrical Equipment Co.	42 N. W. 4th St.
Florida	Tampa	Spencer Auto Electric Co.	607 E. Cass St.
Georgia	Atlanta	Auto Electric & Magneto Co.	477 Spring St., N. W.
Illinois	Chicago	Mid-States Auto Electric Co.	2446 Indiana Ave.
Indiana	Indianapolis	Gulling Auto Electric Co.	450 N. Capitol Ave.
Iowa	Des Moines	Magneto Carburetor & Electric Co.	1216 Grand Ave.
Kansas	Wichita	The E. S. Cowie Electric Co.	230 S. Topeka Ave.
Kentucky	Lexington	Kentucky Ignition Co., Inc.	Rose and Vine Sts.
Louisiana	New Orleans	Suhren, Inc.	1319 St. Charles Ave.
Louisiana	Shreveport	Chain Battery & Automotive Supply Co.	Marshall & Cotton Sts.
Massachusetts	Boston	Wm. H. Flaherty Co.	48-52 Cummington St.
Michigan	Detroit	Auto Electric & Service Corp.	90 Selden Ave.
Minnesota	Minneapolis	Reinhard Bros. Co., Inc.	11 S. Ninth St.
Missouri	Kansas City	The E. S. Cowie Electric Co.	1819 Wyandotte St.
Missouri	St. Louis	Medart Auto Electric Co.	3134 Washington Blvd.
Nebraska	Omaha	Carl A. Anderson, Inc.	1514 Jones St.
New York	Buffalo	The Battery & Starter Co., Inc.	681 Main St.
New York	New York	The Durham Co., Inc.	17 W. 60th St.
New York	Syracuse	The Durham Co., Inc.	601 W. Genesee St.
North Carolina	Charlotte	Carolina Rim & Wheel Co.	312 N. Graham St.
North Dakota	Minot	Reinhard Bros. Co., Inc.	14-16 First St., S. E.
Ohio	Toledo	The Electric Power Maintenance Co.	26-30 Seventeenth St.
Oklahoma	Oklahoma City	American Electric Ignition Co.	725 N. Broadway
Oregon	Portland	Sunset Electric Co.	9th and Glisan Sts.
Pennsylvania	Philadelphia	Auto Equipment & Service Co., Inc.	1522 Fairmount Ave.
Pennsylvania	Pittsburgh	Pitt Auto Electric Co.	4951 Center Ave.
South Dakota	Aberdeen	Reinhard Bros. Co., Inc.	317 S. Lincoln St.
Tennessee	Knoxville	R. T. Clapp Co.	401-07 N. Broadway
Tennessee	Memphis	Automotive Electric Service Co.	1095 Union Ave.
Texas	Amarillo	The E. S. Cowie Electric Co.	7th & Van Buren Sts.
Texas	Dallas	Bead & Stone Electric Co., Inc.	Bryan and Olive Sts.
Texas	El Paso	Motor Supply Co.	308 Chihuahua St.
Texas	Houston	Bead & Stone Electric Co., Inc.	Milam St. and Polk Ave.
Texas	San Antonio	S. X. Callahan	425 N. Flores St.
Utah	Salt Lake	Motor Equipment Co.	601 S. State
Washington	Seattle	Sunset Electric Co.	300 W. Lake St., North
Wisconsin	Milwaukee	Wisconsin Magneto Co.	918 N. Broadway
DOMINION OF CANADA			
Manitoba	Winnipeg	Beattie Auto Electric, Ltd.	176 Fort St.
Ontario	Toronto-5	Auto Electric Service Co., Ltd.	15 Broadalbane St.

BRIGGS & STRATTON CORP. - MILWAUKEE WIS.